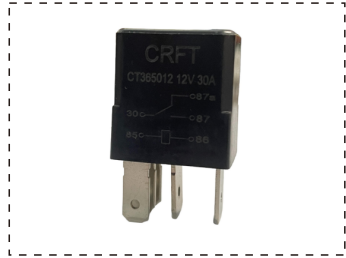


Automotive Relay Series 汽车继电器系列 --CT365

FEATURES特点

- Miniature heavy duty general purpose automotive relay
Dimensions: 20.4×15.1×22.0(mm)
小型通用汽车继电器
尺寸: 20.4 × 15.1 × 22.0 (mm)
- Up to 35A contact switching capability
高达35A触点切换能力
- 1 Form A and C contact configurations
具有一组常开和一组转换触点形式
- Operating ambient temperature: 125°C
工作温度高达125°C



CONTACT PARAMETERS触点参数

Contact Form 触点形式		A-1组常开, C-1组转换
Contact Material 触点材料		Ag Alloy
Rated Load 触点负载		见表1
Contact Resistance 接触电阻		Max. 50mΩ (6VDC 1A)
负载 Load	Max.Switching Voltage 最大切换电压	28VDC
	Max.Switching Current 最大切换电流	35A
	Max.Switching Power 最大浪涌电流	NO: 90A
		NC: 20A
Max.Switching Power 最大切换功率	490W (12V 线圈电压)	
	420W (24V 线圈电压)	
寿命	Mechanical durability 电寿命	100, 000次
Life	The durability of electricity 机械寿命	10, 000, 000次

CHARACTERISTICS性能参数

绝缘电阻 Insulation Resistance		Min. 100MΩ 500VDC
介电电耐压	Between open contacts 线圈与触点间	550VAC, 1min
	Between coil and contacts 线圈与线圈间	550VAC, 1min
Release Time 吸合时间		Max. 10ms
Operate Time 释放时间		Max. 10ms
Operating Temperature 工作环境温度		-40°C to +125°C
Humidity 相对湿度		35~95%RH, +40°C
冲击	Endurance 强度	1000m/S²
	Misoperation 稳定性	100m/S²
振动	Endurance 强度	10~55Hz, 1.5mm double amplitude
	Misoperation 稳定性	10~55Hz, 1.5mm double amplitude
Weight 重量		Approximately 18.0g

COIL RATINGS (at23°C) 线圈参数 (在23°C)

Nominal Coil Power 额定线圈功率	1.5W(12V), 1.8W(24V)
Nominal Coil Power(With Resistor) 额定线圈功率(并联电阻)	1.7W(12V), 2.0W(24V)
Nominal Coil Power(High Sensitivity) 额定线圈功率(高灵敏度)	1.1W(12V)
Nominal Coil Power(High Sensitivity)(With Resistor) 额定线圈功率(高灵敏度)(并联电阻)	1.3W(12V)

Table 1 (Contact Rating) 表1 触点负载

Type 负载类型		Coil Voltage 12VDC 12VDC线圈电压	Coil Voltage 24VDC 24VDC线圈电压
Rating (Resistive Load) 阻性负载	Contact Rating 额定切换负载	NO:35A 14VDC	NO:15A 28VDC
		NC:20A 14VDC	NC: 8A 28VDC
	125°C Switching Current 125°C切换负载	NO:20A(14VDC)	NO:15A(28VDC)
		NC:10A(14VDC)	NC:8A(28VDC)

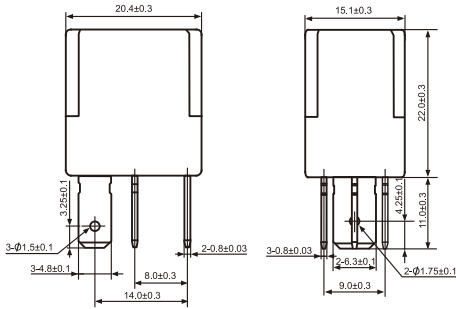
COIL DATA Ambient Temperature: 23°C 线圈规格表 环境温度: 23°C

Model 型号规格	Nominal Voltage VDC 线圈额定电压VDC	Coil Resistance Ω +/-10% 线圈电阻 Ω +/-10%	Parallel Resistance Ω +/-5% 并联电阻 Ω +/-5%	Equivalent Resistance Ω +/-10% 等效电阻 Ω +/-10%	Operate Voltage \leq VDC 吸合电压 VDC	Release Voltage \geq VDC 释放电压 VDC	Coil Power W 额定线圈功率W
CT365-S-DC12V	12	96	-	-	7.2	1.2	1.5
CT365-S-DC24V	24	320	-	-	14.4	2.4	1.8
CT365-S-DC12V(R)	12	96	680	84.1	7.2	1.2	1.7
CT365-S-DC24V(R)	24	320	2700	286	14.4	2.4	2.0
CT365H-S-DC12V	12	130	-	-	7.2	1.2	1.1
CT365H-S-DC12V(R)	12	130	680	109	7.2	1.2	1.3

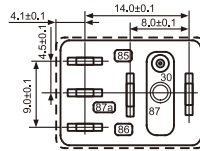
ORDERING INFORMATION 订货标记

CT365-S-DC12V-A-L-D-(XXX) 1 2 3 4 5 6 7	
1. Model Number基本型号 CT365	5. Rated Power: No-Standard, L-High Sensitivity 额定功率: 无-标准型, L-灵敏型
2. Encapsulation form: S-Plastic Sealed SH:Fluk proofed 封装形式: S-塑封型 SH-防焊剂型	6. Parallel Electronic Component: Blank - Standard R- With Resistor D- With Diode (12V-680 Ω , 24V-2700 Ω) 并联元件: 无-标准型 R- 带电阻 D- 带二极管 (12V-680 Ω , 24V-2700 Ω)
3. Coil Voltage线圈规格 (VDC): DC5V, DC6V, DC9V, DC12V, DC18V, DC24V	7. Customer Special Code :XXX-Customer Special Requirements No - Standard Type 客户特性号: XXX-客户特殊要求, 无-标准型
4. Contact form: A-1Form A, B-1Form B, C-1Form C 触点形式: A-1组常开, B-1组常闭 C-1组转换	

OUTLINE, WIRING DIAGRAM, MOUNTING HOLE LAYOUT (UNIT: mm) 外形图、接线图、安装孔尺寸(单位: mm)

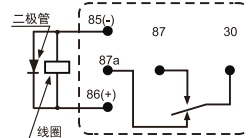
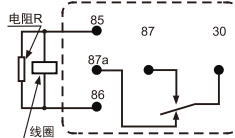
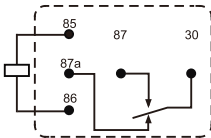


Outline
外形图



Mounting Hole Layout
(Bottom View)
安装孔尺寸
(底视图)

Remark: Form A: Without 87a terminal
Form C: With all terminals
备注: A型无87a脚
C型全有



Wiring Diagram
(Bottom View)
接线图
(底视图)

Remark: Form A: Without 87a terminal
Form C: With all terminals
备注: A型无87a脚
C型全有

PERFORMANCE CHART性能曲线图

Coil Temperature Rise
线圈温升

